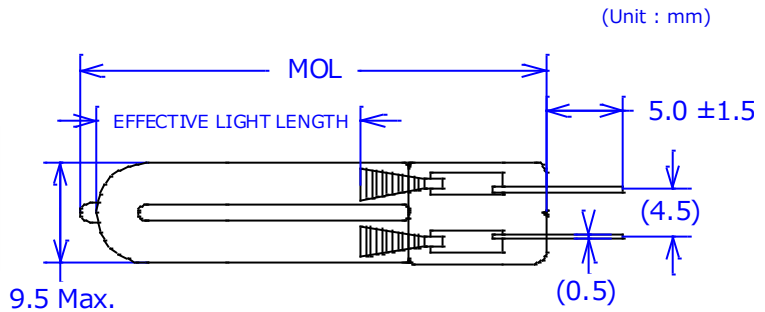


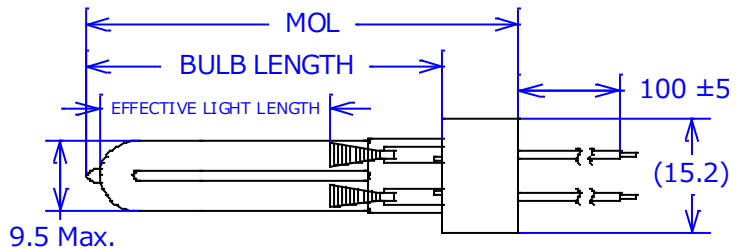
MINI U-TUBE COLD CATHODE LAMP

Mini type of U-tube cold cathode UV lamp.
There are a pin type and a lead type, which can be used more compactly.

PIN



LEAD CABLE



* Applicable inverter is "DHE1105B" series.
5V, 12V and 24V are available.
A, B and C types are available depending on the lamp length.

TCGU	Base And Terminal	Lamp Current mA rms	Lamp Voltage V rms	Watts W	UV Intensity $\mu\text{W}/\text{cm}^2/10\text{cm}$	Ozone Amount mg/hrs	Average Life hrs	Effective Light Length mm	Bulb Length mm	Max Overall Length mm
TCGU45-40P	Pin	5	200	1.0	50	0.8	30,000	25x2	-	45
TCGU45-40L	Lead Cable	5	200	1.0	50	0.8	30,000	25x2	40	55
TCGU45-40ZP	Pin	5	200	1.0	50	Oz Free	30,000	25x2	-	45
TCGU45-40ZL	Lead Cable	5	200	1.0	50	Oz Free	30,000	25x2	40	55
TCGU45-55P	Pin	5	240	1.2	70	1.0	30,000	40x2	-	60
TCGU45-55L	Lead Cable	5	240	1.2	70	1.0	30,000	40x2	55	70
TCGU45-55ZP	Pin	5	240	1.2	70	Oz Free	30,000	40x2	-	60
TCGU45-55ZL	Lead Cable	5	240	1.2	70	Oz Free	30,000	40x2	55	70
TCGU45-70P	Pin	5	300	1.5	100	1.2	30,000	55x2	-	75
TCGU45-70L	Lead Cable	5	300	1.5	100	1.2	30,000	55x2	70	85
TCGU45-70ZP	Pin	5	300	1.5	100	Oz Free	30,000	55x2	-	75
TCGU45-70ZL	Lead Cable	5	300	1.5	100	Oz Free	30,000	55x2	70	85

P : Pin Type L : Lead Cable Z : Ozone Free

** is input Voltage for Inverter Voltage is 5vdc,12Vdc,24Vdc

* These specifications are subject to change without notice.