

# LightSource

## UVC Amalgam Germicidal Lamp

	Tube Diameter mm	BF-BF mm	Arc Length mm	Power W	Current A	Voltage V	UV output @254nm		Rated Life hrs.
							$\mu$ W/cm <sup>2</sup>	W	

### 【Horizontal Spot Amalgam Lamps】

GPHA357T5L	15	357	278	42	1.2	36	110	11	16,000
GPHA843T5L	15	843	764	105	1.2	88	320	35	16,000
GPHA1000T5L	15	1000	921	127	1.2	107	370	42	16,000
GPHA1554T5L	15	1554	1475	190	1.2	164	500	68	16,000
GPHA357T6L	19	357	278	57	1.8	32	130	13	16,000
GPHA843T6L	19	843	764	127	1.8	71	400	43	16,000
GPHA1000T6L	19	1000	921	150	1.8	84	460	52	16,000
GPHA1554T6L	19	1554	1475	240	1.8	134	630	87	16,000
GPHHA357T6L	19	357	278	65	2.1	31	140	14	16,000
GPHHA843T6L	19	843	764	172	2.1	82	490	54	16,000
GPHHA1000T6L	19	1000	921	207	2.1	99	570	65	16,000
GPHHA1554T6L	19	1554	1475	320	2.1	154	750	105	16,000

### 【Universal Pellet Amalgam Lamps】

GPHVA357T5L	15	357	278	42	1.2	36	110	11	16,000
GPHVA843T5L	15	843	764	105	1.2	88	320	35	16,000
GPHVA1000T5L	15	1000	921	127	1.2	107	370	42	16,000
GPHVA1554T5L	15	1554	1475	190	1.2	164	500	68	16,000
GPHVA357T6L	19	357	278	57	1.8	32	130	13	16,000
GPHVA843T6L	19	843	764	127	1.8	71	400	43	16,000
GPHVA1000T6L	19	1000	921	150	1.8	84	460	52	16,000
GPHVA1554T6L	19	1554	1475	240	1.8	134	630	87	16,000
GPHHVA1554T6L	19	1554	1475	320	2.1	154	750	105	16,000
GPHHVA1554T10L	32	1554	1434	471	5	95	1160	157	16,000

## Standard Output Quartz Germicidal Lamps

	Tube Diameter mm	BF-BF mm	Arc Length mm	Power W	Current A	Voltage V	UV output @254nm		Rated Life hrs.
							$\mu$ W/cm <sup>2</sup>	W	

### 【Preheat Start Lamps - Low Ozone】

GPH212T5L	15	212	132	10	425	25	27	2.7	16,000
GPH287T5L	15	287	207	14	425	34	40	4	16,000
GPH303T5L	15	303	223	15	425	35	43	4.3	16,000
GPH357T5L	15	357	277	17	425	42	57	5.7	16,000
GPH436T5L	15	436	356	21	425	51	72	7.3	16,000
GPH793T5L	15	793	713	38	425	92	125	13.5	16,000
GPH843T5L	15	843	762	41	425	98	150	16	16,000
GPH1148T5L	15	1148	1067	55	425	135	180	22	16,000
GPH1554T5L	15	1554	1474	75	425	179	240	33	16,000
GPH1630T5L	15	1630	1550	79	425	189	252	34.5	16,000

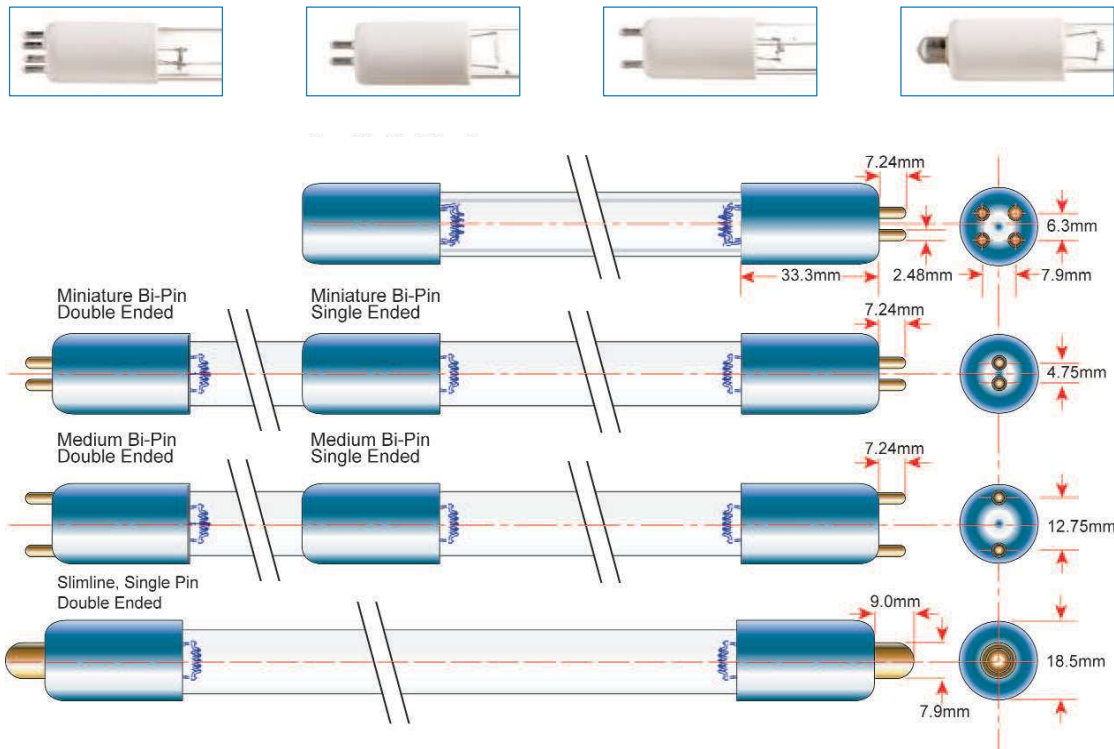
### 【Preheat Start Lamps - Ozone Generating】

GPH212T5VH	15	212	132	10	425	25	27	2.7	16,000
GPH287T5VH	15	287	207	14	425	34	40	4	16,000
GPH303T5VH	15	303	223	15	425	35	43	4.3	16,000
GPH357T5VH	15	357	277	17	425	42	57	5.7	16,000
GPH436T5VH	15	436	356	21	425	51	72	7.3	16,000
GPH793T5VH	15	793	713	38	425	92	125	13.5	16,000
GPH843T5VH	15	843	762	41	425	98	150	16	16,000
GPH1148T5VH	15	1148	1067	55	425	135	180	22	16,000
GPH1554T5VH	15	1554	1474	75	425	179	240	33	16,000
GPH1630T5VH	15	1630	1550	79	425	189	252	34.5	16,000

Measurements were performed on a high-frequency, current limited electronic ballast and represent average values at 1 meter.

# LightSource

## Typical Germicidal Lamp Configurations



## Standard Output Quartz Germicidal Lamps

	Tube Diameter mm	BF-BF mm	Arc Length mm	Power W	Current A	Voltage V	UV output @254nm		Rated Life hrs.
							$\mu$ W/cm <sup>2</sup>	W	
<b>【Instant Start Lamps - Low Ozone】</b>									
G10T5L	15	357	277	17	425	42	57	5.7	16,000
G24T5L	15	692	612	32	425	77	95	11	16,000
G36T5L	15	843	762	41	425	98	150	16	16,000
G48T5L	15	1148	1067	55	425	135	180	22	16,000
G64T5L	15	1554	1474	75	425	179	240	33	16,000
G67T5L	15	1630	1550	79	425	189	252	34.5	16,000

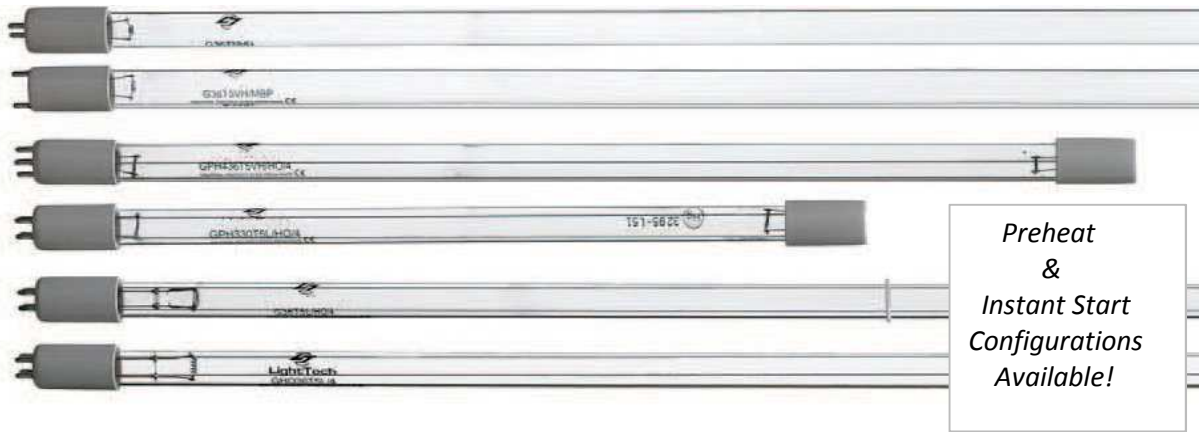
## 【Instant Start Lamps - Ozone Generating】

G10T5VH	15	357	277	17	425	42	57	5.7	16,000
G24T5VH	15	692	612	32	425	77	95	11	16,000
G36T5VH	15	843	762	41	425	98	150	16	16,000
G48T5VH	15	1148	1067	55	425	135	180	22	16,000
G64T5VH	15	1554	1474	75	425	179	240	33	16,000
G67T5VH	15	1630	1550	79	425	189	252	34.5	16,000

Measurements were performed on a high-frequency, current limited electronic ballast and represent average values at 1 meter.

# LightSource

## High Output (HO) Quartz Lamps



	Tube Diameter mm	BF-BF mm	Arc Length mm	Power W	Current mA	Voltage V	UV output @254nm		Rated Life hrs.
							$\mu$ W/cm <sup>2</sup>	W	
<b>【Low Ozone】</b>									
GHO436T5L	15	436	360	48	800	60	120	13	16,000
GHO36T5L	15	842	755	87	800	110	260	28	16,000
GHO846T5L	15	846	767	90	800	113	265	29	16,000
GHO893T5L	15	893	815	95	800	120	270	30	16,000
GHO64T5L	15	1554	1421	155	800	195	395	54	16,000

<b>【Ozone Generation】</b>									
GHO436T5VH	15	436	360	48	800	60	120	13	16,000
GHO36T5VH	15	842	755	87	800	110	260	28	16,000
GHO846T5VH	15	846	767	90	800	113	265	29	16,000
GHO893T5VH	15	893	815	95	800	120	270	30	16,000
GHO64T5VH	15	1554	1421	155	800	195	395	54	16,000

Measurements were performed on a high-frequency, current limited electronic ballast and represent average values at 1 meter.

### Lamp example (Single end Type)

